

## Standard Preparation 1200 mm Vegetables Processing/ Washing Table with Upstand

ITEM # \_\_\_\_\_

MODEL # \_\_\_\_\_

NAME # \_\_\_\_\_

SIS # \_\_\_\_\_

AIA # \_\_\_\_\_

**132765 (TLV1210PN)**Vegetables processing/  
washing table with polythene  
cutting board, 1 bowl,  
scraping hole and upstand,  
1200mm

### Short Form Specification

**Item No.** \_\_\_\_\_

50mm high worktop in 304 AISI stainless steel, 1 bowl (684x303x180h mm). Integral radiused rear upstand, h=100mm. Square section legs 40x40mm on 1" height-adjustable feet in 304 AISI stainless steel. N.1 Polythene cutting board and scraping hole on front.

### Main Features

- Sturdiness, stability and reliability of table accurately tested.

### Construction

- Table can be equipped with a mobile bin with lid for waste disposal (optional accessory).
- 50 mm worktop in 304 AISI stainless steel, 10/10 in thickness with upturned edges and reinforced waterproof underpanel, incorporates a layer of sound deadening materials.
- Square section legs and 40 mm height-adjustable feet in 304 AISI stainless steel.
- Unit features a 20 mm deep recessed surface, a polythene cutting board, perforated and sectionated removable tops, an easily removable GN liquid container and a knife holder. Knife sanitizer can be supplied as optional.
- Table can be equipped with a set of castors as an alternative to the feet.
- 100 mm upstand with 10 mm radiused corner and 13 mm deep, designed to be used against a wall.
- Upstand back completely covered with Stainless Steel welded profile.
- Unit features a 20 mm deep recessed surface, a polythene cutting board and a scraping hole on the front and a bowl.

### Optional Accessories

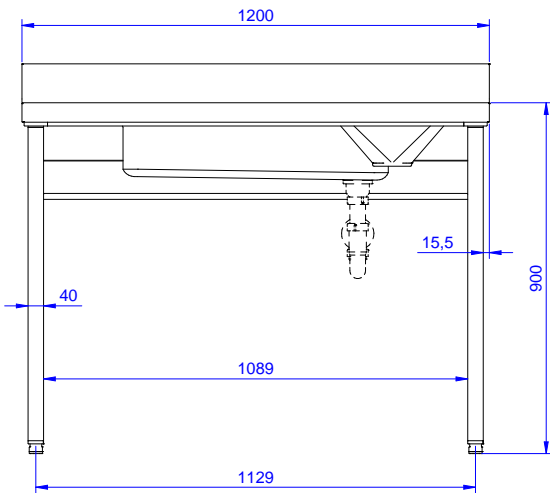
- Lower shelf for 1200mm tables PNC 855145   
and sinks and for 1800 mm  
undercounter dishwasher sinks
- Set of 4 wheels (2 with brake) PNC 855150   
d. 100mm for tables and sinks  
(total height on wheels= 993  
mm)
- 3-sided underframe for PNC 855152   
1200mm tables
- Single plastic drain syphon 1,5" PNC 855306
- Elbow operated mixer tap with PNC 855322   
spout, 3/4" single hole
- Elbow operated mixer tap short PNC 855323   
spout, 3/4" single hole
- Foot operated Mixer tap with PNC 855328   
spout & with hot&cold pedals,  
3/4"

**APPROVAL:** \_\_\_\_\_

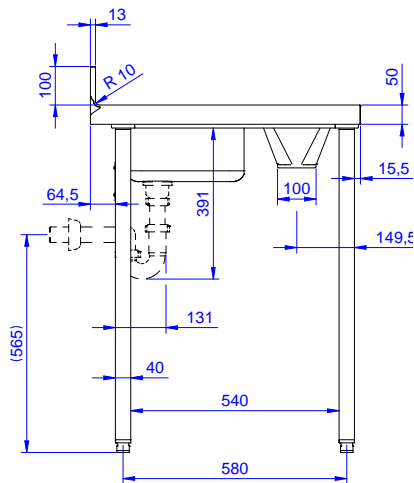
**Key Information:**

<b>External dimensions, Width:</b>	1200 mm
<b>External dimensions, Depth:</b>	700 mm
<b>External dimensions, Height:</b>	1000 mm
<b>Upstand Dimensions, Height:</b>	100 mm
<b>Upstand Dimensions, Depth:</b>	13 mm
<b>Upstand Dimensions, Radius:</b>	R=10
<b>Worktop thickness:</b>	50 mm
<b>Net weight:</b>	40 kg
<b>Number of cutting boards</b>	1
<b>Cutting board dimensions - width</b>	340 mm
<b>Cutting board dimensions - depth</b>	640 mm
<b>Cutting board dimensions - height</b>	25 mm

**Front**



**Side**



**D** = Drain

**Top**

